



BATHROOM ACCESSORIES

Towel ring

ITEM: 16.506



- Towel ring, zamac, chrome finish, for mounting on the wall.
- Suitable for the hotel sector, for fitting out the bathrooms in the hotel rooms.
- Model suitable for public use.
- With no removable components.
- Easy to install and clean.
- Durability and resistance to corrosion.
- It normally goes along with a soap dispenser.

COMPONENTS & MATERIALS

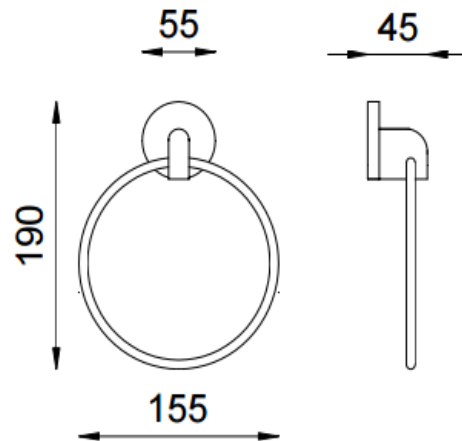
- Zamac arm, chrome finish. Completely welded construction.
- Stainless steel ring, satin finish.
- Mounting on the wall by means of one screws.

TECHNICAL SPECIFICATIONS

Dimension 190x150x45 mm

Distance from the wall 45 mm

TECHNICAL DRAWING



No specific instructions for its use required.