

WHO WE ARE

With over 25 years of professional expertise, we are committed to delivering complete washroom equipment solutions featuring innovative design, superior performance and reliable quality, serving customers worldwide.

Our Mission:

Committed to supplying hygienic, comfortable and elegant washroom solutions for all world.

Our Vision:

To be the pioneer and leader in commercial washroom equipment.

Our Values:

With the philosophy of Customer Oriented, create value for global customers;

Adhere to mutual benefit and win-win cooperation;

Improve everything we do continuously, keep moving forward;

Insist on teamwork and team development;

Shoulder social responsibilities, do the right thing;

Embrace changes, arm ourselves with science and technology.

HOTEC

WHAT WE OFFER

As one of the leading washroom equipment suppliers in China, Hotec is committed to providing hygienic, comfortable, and elegant solutions to public washrooms.

To this end, we have developed over 300 products of good design, premium quality, and high value to meet the expectations of our customers.

RESTROOM EQUIPMENTS



HAND DRYERS
TAMPONS & PADS DISPENSERS
AUTOMATIC FAUCETS
SOAP DISPENSERS
PAPER TOWEL DISPENSERS
GRAB BARS
BABY CHANGING STATIONS
URINAL SCREENS
URINAL MATS

TOILET ACCESSORIES



JUMBO PAPER DISPENSERS
TOILET TISSUE DISPENSERS
TOILET BRUSH HOLDER
ACCESSORIES

BATHROOM ACCESSORIES



SHOWER SEATS
SHAMPOO & BODY DISPENSERS
HAIR DRYERS



WHAT WE DO

At Hotec, we don't just supply products, we deliver complete washroom solutions tailored to your specific needs.

Our global customer-centric approach includes:



Customized Solutions

From design consultation to product modification, we work closely with you to develop bespoke solutions that align with your brand identity, space requirements, and budget constraints.



Reliable Supply Chain

With our state-of-the-art manufacturing facilities and efficient logistics network, we ensure timely delivery and consistent quality across all your orders, no matter the size.



End-to-End Support

Our dedicated team provides seamless service throughout the entire partnership. From pre-sales technical advice and product training to after-sales maintenance and warranty support, we are committed to your success.



Long-Term Partnership

We believe in building sustainable, win-win relationships. Our flexible business models, competitive pricing, and commitment to mutual growth make us your ideal long-term partner in the commercial washroom industry.

With over 25 years of profound experience shaping the industry, we have built a comprehensive industrial chain spanning R&D, design, manufacturing, quality control, and global marketing—enabling us to deliver reliable, high-performance washroom solutions to collective clients across worldwide.

We offer versatile washroom solutions suitable for a full range of public and commercial scenarios.



Airport & subway



Shopping mall



Hospital



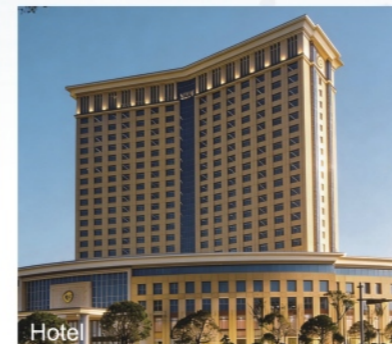
Restaurant



Health & Wellness centres



Office



Hotel



School & Colleges

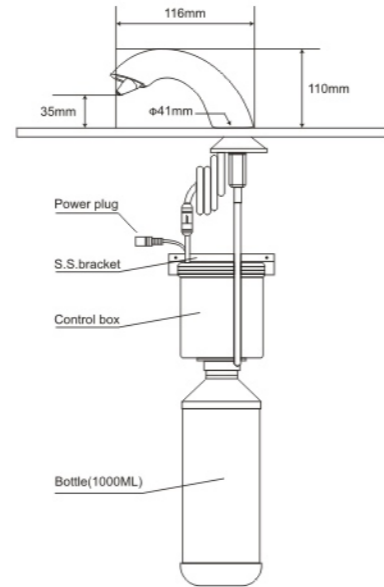


Factory

DECK-MOUNTED SOAP DISPENSERS



13.501
material: brass
finish: chrome/black



FEATURES

- ◆ Solid brass construction for durability
- ◆ Touch-free operation ensuring hygiene
- ◆ Advanced energy saving design

Material	brass, chrome finish	Ambient humidity	Max. 90RH
Power	DC 6V/AC 110-240V/50HZ	Pump	liquid/foam pump
Power consumption	DC 6V. 4AA alkaline batteries	Foam volume	1.2ml (0.5-3ml adjustable)
Detection zone	5-15cm adjustable	Applicable soap viscosity	0.1-80mPa.s
Ambient temperature	1-40°C	Bottle volume	1000ml

SENSOR SOAP DISPENSERS



13.504
material: brass
finish: chrome/black



13.516
material: brass
finish: chrome/black



13.517
material: brass
finish: chrome/black



13.518
material: brass
finish: chrome/black



13.513
material: brass
finish: chrome/black



13.514
material: brass
finish: chrome/black



13.515
material: brass
finish: chrome/black

SHAMPOO & BODY WASH DISPENSERS



- Adjustable height to match different kinds of bottles.
- Premium stainless steel rustproof & durable
- Wall-mounted design Save Space, Easy Access
- Perfect for shampoo, shower gel & body lotion
- Ideal for hotels, resorts & modern bathrooms

SHAMPOO & BODY WASH DISPENSERS



13.711
material:
304 Stainless steel
capacity:
max.500ml



13.712
material:
304 Stainless steel
capacity:
max.500ml x 2



13.713
material:
304 Stainless steel
capacity:
max.500ml x 3



13.701
material:
304 Stainless steel
capacity:
max.500ml



13.702
material:
304 Stainless steel
capacity:
max.500ml x 2



13.703
material:
304 Stainless steel
capacity:
max.500ml x 3

SOAP DISPENSERS/HAND STERILIZERS



SOAP DISPENSERS/ HAND STERILIZERS



13.611/13.612

feature: liquid/spray

capacity: 0.5L
material: Aluminium + stainless steel pressure level
finish: silver



13.614/13.615

feature: liquid/spray

capacity: 1.0L
material: Aluminium + stainless steel pressure level
finish: silver



13.601

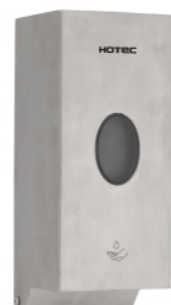
feature: liquid

capacity: 0.5L
material: ABS
finish: white



13.302

capacity: 0.8L
material: 304 stainless steel
suitable soaps: liquid soap/
alcohol gel



13.303

capacity: 1.0L
material: 304 stainless steel
suitable soaps: liquid soap/
alcohol gel



13.305

capacity: 1.0L
material: ABS
suitable soaps: liquid soap/
alcohol gel



13.304

capacity: 1.0L
material: 304 stainless steel
suitable soaps: liquid soap/alcohol gel



13.503

capacity: 1.0L
material: ABS
suitable soaps: liquid soap/alcohol gel

SOAP DISPENSERS/ HAND STERILIZERS



13.11x series
 capacity: 1.0/1.2L
 material: 304 stainless steel
 suitable soaps: liquid soap



13.10x series
 capacity: 0.5/0.8/1.0/1.2L
 material: 304 stainless steel
 suitable soaps: liquid soap



13.16x series
 capacity: 1.0/1.2L
 material: 304 stainless steel
 suitable soaps: liquid soap



13.115
 capacity: 1.2L
 material: 304 stainless steel
 suitable soaps: liquid soap



13.530 Inner tank
 suitable for 13.112.ST
 13.114.ST
 13.162.ST
 13.164.ST



13.535 liquid pump
 suit for 13.111, 13.112
 13.113, 13.114
 13.115



13.531 foam pump
 suit for 13.122, 13.132



13.536 liquid pump
 suit for 13.162, 13.164



13.201
 capacity: 0.35L
 material: ABS
 suitable soaps: liquid soap



13.202
 capacity: 0.35Lx2
 material: ABS
 suitable soaps: liquid soap



13.506
 capacity: 1.0L
 material: ABS
 suitable soaps: liquid soap



13.143
 capacity: 0.35L
 material: brass pump & PE bottle
 suitable soaps: liquid soap



13.507
 capacity: 0.8L
 material: ABS
 suitable soaps: liquid soap



13.141
 capacity: 0.35L
 material: brass pump & PE bottle
 suitable soaps: liquid soap

The mountain stands there,
Reaching high into the clouds.
The water is at his feet,
Rippling with the wind,
As if pleading with him,
Yet he remains proudly still.

— West Lake Impromptu
Rabindranath Tagore, *Written in 1924, Hangzhou, China*

HOTEC

Email: hotec@cncotec.com
<https://www.cncotec.com/>



website



whatsapp

*All product sizes and colours prevail in kind, subject to change without notice.