



**BATHROOM ACCESSORIES**

Double tumbler holder

ITEM: 16.508



- Double tumbler holder, zamac, chrome finish, for mounting on the wall.
- Suitable for the hotel sector, for fitting out the bathrooms in the hotel rooms.
- Model suitable for public use.
- With no removable components.
- Easy to install and clean.
- Durability and resistance to corrosion.
- It normally goes along with a soap dispenser and towel rail or towel ring.

**COMPONENTS & MATERIALS**

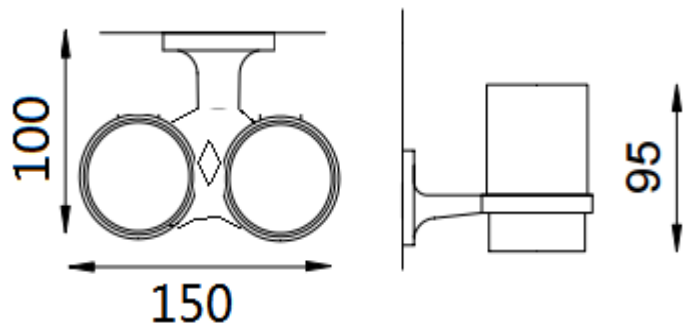
- Zamac dish, chrome bright finish, connected to holder.
- Zamac holder, chrome bright finish, seamless.
- Mounting on the wall by means of one screws.

**TECHNICAL SPECIFICATIONS**

Dimension 150x95x100 mm

Distance from the wall 100 mm

**TECHNICAL DRAWING**



No specific instructions for its use required.