



BATHROOM ACCESSORIES

Double towel rail

ITEM: 16.110



- Double towel rail, stainless steel AISI 304, satin finish, for mounting on the wall.
- Suitable for the hotel sector, for fitting out the bathrooms in the hotel rooms.
- Model suitable for public use.
- With no removable components.
- Easy to install and clean.
- Durability and resistance to corrosion.
- It normally goes along with a stainless steel soap dispenser and a warm air hand dryer.

COMPONENTS & MATERIALS

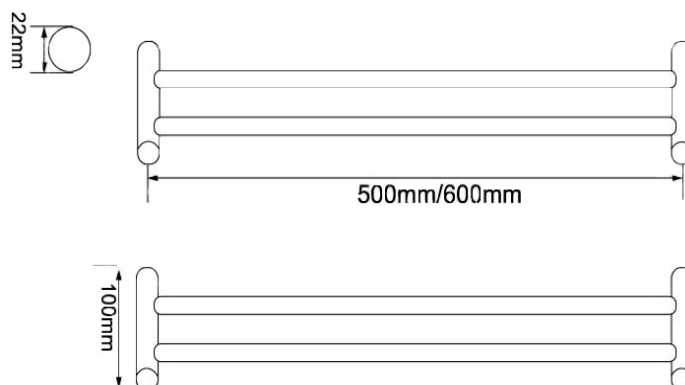
- Stainless steel AISI 304 arm, satin finish. Completely welded construction.
- Stainless steel AISI 304 bar, \varnothing 12 mm, satin finish, seamless.
- Mounting on the wall by means of two screws.

TECHNICAL SPECIFICATIONS

Dimension 500x100x22 mm

Distance from the wall 66 mm

TECHNICAL DRAWING



No specific instructions for its use required.