



15.101.W, 15.104.W, 15.106.W

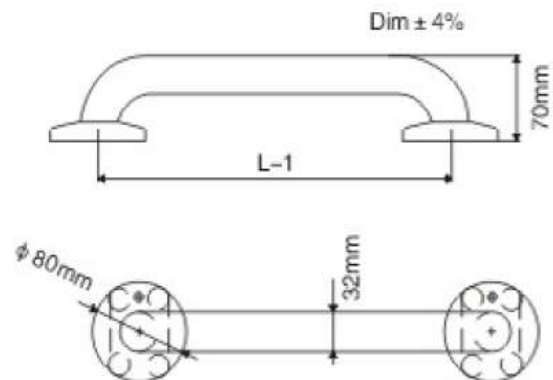


15.101.C, 15.104.C, 15.106.C

- Straight grab bar to fix to wall.
- Suitable for specific bathrooms for people with mobility problems, elderly people or the handicapped.
- Suitable for both home and public use.
- Highest durability and rusting resistance.
- Stainless steel nuts and bolts for masonry walls.

COMPONENTS & MATERIALS

- Made of cast iron, white epoxy finish or chrome finish.
- Two fixing points.
- Distance from bar to wall: 70 mm.
- Ø32 mm tube grab. Steel thickness: 1,2 mm.
- Incorporates 3 screws holes for wall mounting.



TECHNICAL SPECIFICATIONS

Dimension see version table

Bar tube	Ø32 mm
Bar tube thickness	1.2 mm
Snap flange cover	Ø80 mm
Snap flange cover thickness	1.2 mm

L-1

15.101	300mm (12")
15.104	450mm (18")
15.106	600mm (24")