



15.225.S

stainless steel 304 satin finish

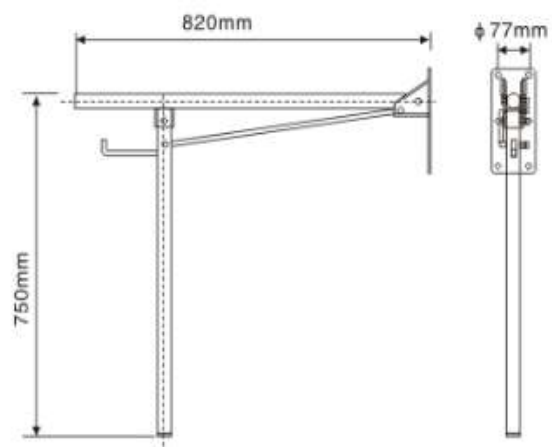
- Drop-down grab bar with folding leg support and built intoilet paper holder.
- Opening system that transfers the support leg to the floor on moving the bar downwards.
- Safety system that blocks the bar in a vertical position to prevent it from dropping accidentally.
- Made of 304 stainless steel, satin finish.
- Recommended for use in bathrooms and showers.
- Suitable for bathrooms adapted to disabled.
- 32mm diameter bar for easier gripping.
- Highest durability and rusting resistance.

COMPONENTS & MATERIALS

- Ø32 mm tube grab. Steel thickness: 1,2 mm.
- Stainless steel screws and bolts for masonry walls.
- Incorporates 6 screws holes for wall mounting.
- With brake and paper holder.

TECHNICAL SPECIFICATIONS

Bar tube	Ø32 mm
Bar tube thickness	1.2 mm
Mounting flange	100x300 mm



15.225.S 820x750 mm