



15.241.S, 15.242.S
stain finish

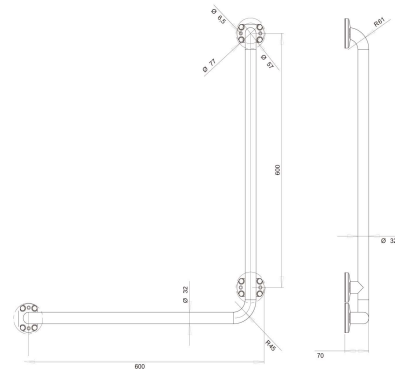


15.243.S, 15.244.S
stain finish

- 90° angled grab bar with snap flange cover, with three support points, folded in an "L" shape.
- Made of a diameter of 32 mm 304 stainless steel tube.
- Suitable for showers, baths and changing rooms.
- Highest durability and rusting resistance.
- Supplied with plugs and screws to fix the bar to a brick wall.

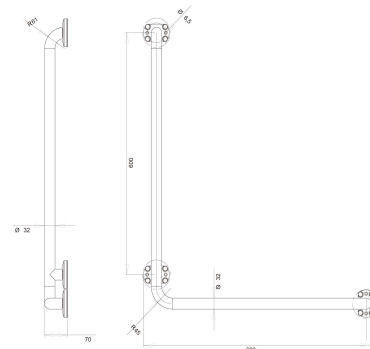
COMPONENTS & MATERIALS

- Ø32 mm tube grab. Steel thickness: 1,2 mm.
- Stainless steel screws and bolts for masonry walls.
- Incorporates 6 screws holes for wall mounting.
- 15.241.S, 15.242.S is to the right.**
- 15.243.S, 15.244.S is to the left.**



15.241.S 600x600 mm

15.242.S 700x700 mm



15.243.S 600x600 mm

15.244.S 700x700 mm

TECHNICAL SPECIFICATIONS

Dimension	see version table
Bar tube	Ø32 mm
Bar tube thickness	1.2 mm