

HOTEC

HAND DRYER

SENSOR OPERATED

JET



Reference: 11.109
white



Reference: 11.110
silver grey

COMPONENTS & MATERIALS

- High-impact ABS one-piece cover.
- High speed self-developed brushless motor.
- 3 IR sensors in both sides for automatic hands detection.
- HEPA filter which avoids the entry of the tiny particles.
- Internal tank to collect the water and avoid a mess.
- Designed for high traffic bathroom and continuous use.
- Easy maintenance.
- Dimension: 566 high x 296 wide x 164 deep mm.

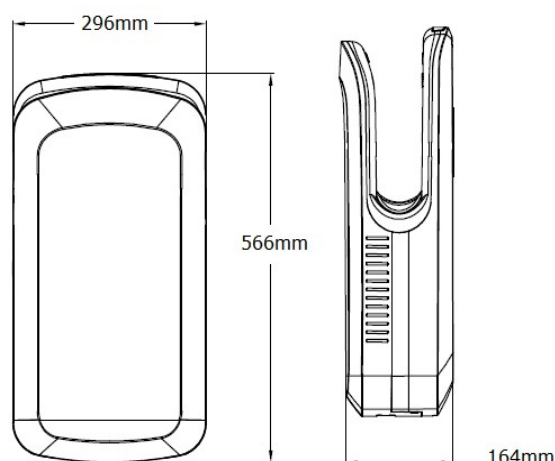
TECHNICAL SPECIFICATIONS

· Material	ABS
· Cover thickness	3.0 mm thick
· Voltage/Frequency	AC220V, 50/60Hz
· r.p.m.	21500
· Total power	1300-1800W
· Motor power	500-700W
· Heating element power	800-1100W
· Air velocity	85-105m/s
· Air temperature	25-40°C
· Noice level	60dB
· Protection level	IPX4
· Drying time	5-10s

CERTIFICATE



TECHNICAL DRAWING



Tel: +86 571 888 685 70

Fax: +86 571 888 685 71

hotec@cnhotec.com

www.cnhotec.com