

HOTEC

HAND DRYER

SENSOR OPERATED

SPEED



Reference: 11.243.B
304 stainless steel
bright



Reference: 11.243.S
304 stainless steel
satin

COMPONENTS & MATERIALS

- One-piece cover.
- High speed brush motor.
- Strong, vandal proof and build without edges.
- Universal brush motor incorporating a safety thermal cut-off.
- Element incorporates a safety thermal cut-off.
- Aluminium centrifugal double inlet fan wheel.
- Easy maintenance.
- Dimension: 291 high x 221 wide x 190 deep mm.

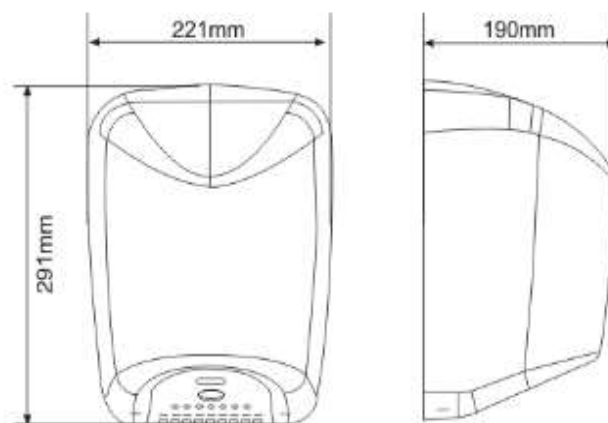
TECHNICAL SPECIFICATIONS

· Material	304 stainless steel
· Cover thickness	1.0 mm thick
· Voltage/Frequency	AC220V, 50/60Hz
· r.p.m.	20000
· Total power	1800W
· Motor power	550W
· Consumption	7.8A
· Air velocity	85m/s
· Air temperature	50-80°C
· Noice level	<78dB
· Protection level	IPX1

CERTIFICATE



TECHNICAL DRAWING



Tel: +86 571 888 685 70

Fax: +86 571 888 685 71

hotec@cnhotec.com

www.cnhotec.com