



BATHROOM ACCESSORIES

Toilet paper holder with cover

ITEM: 16.621



- Toilet paper holder with cover, AISI 201 stainless steel, bright finish.
- Suitable for mounting on the wall.
- Suitable for the hotel sector, for fitting out the bathrooms in the hotel rooms.
- Model suitable for public use.

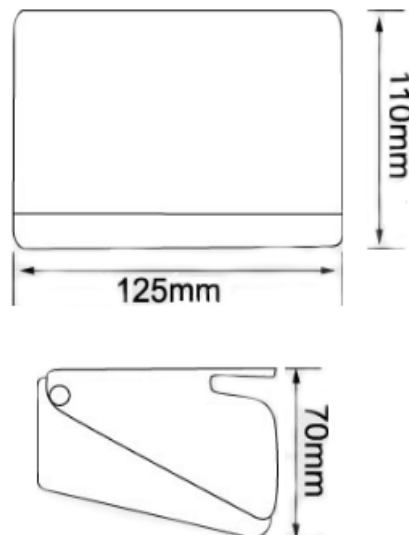
COMPONENTS & MATERIALS

- AISI 201 stainless steel cover, 0.7 mm thick.
- AISI 201 stainless steel support to the wall.
- Axis to support the roll paper in thermoplastic, white colour.

TECHNICAL SPECIFICATIONS

Dimension 125 x 110 x 70 mm

TECHNICAL DRAWING



No specific instructions for its use required.