



## BATHROOM ACCESSORIES

Toilet roll holder with cover

ITEM: 16.107



- Toilet roll holder with cover, stainless steel AISI 304, satin finish, for mounting on the wall.
- Suitable for the hotel sector, for fitting out the bathrooms in the hotel rooms.
- Model suitable for public use.
- With no removable components.
- Easy to install and clean.
- Durability and resistance to corrosion.
- It normally goes along with a stainless steel towel ring or rail.

## COMPONENTS & MATERIALS

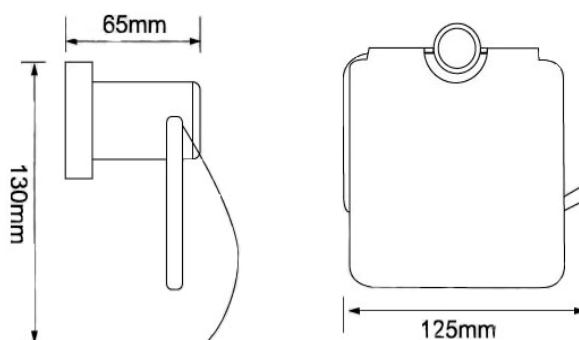
- Stainless steel AISI 304 support to the wall, one piece, seamless, satin finish.
- Stainless steel AISI 304 cover, satin finish.
- Stainless steel AISI 304 cylindrical axis for the roll.
- Mounting on the wall by means of one screw.

## TECHNICAL SPECIFICATIONS

Dimension 125x130x65 mm

Distance from the wall 65 mm

## TECHNICAL DRAWING



No specific instructions for its use required.