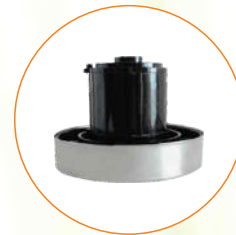


## Specialized manufacture

**3** years' quality warranty



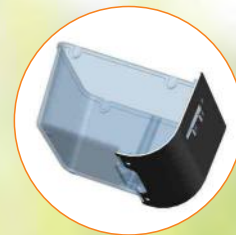
**Water from hands is collected**  
No hazardous water waste on the floor



**Brushless motor DC**  
Complete closed structure to protect brushless motor and stainless steel rotor



**PCB**  
Intelligent detection voltage and temperature



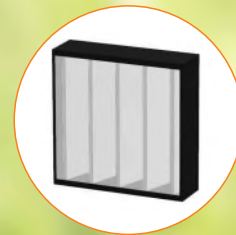
**Removable water tank**  
With external valve for easy emptying



**No fear of fire**  
Integrated stainless steel body



Can be washed and disinfected



**HEPA + flannelette**  
Blocks 99,95% of 0,3 µm particles  
Flannelette can be washed for repeated use.

**Authorized international certification,  
vast patents, metal-work,  
re-portrayal of classics**

### 11.113

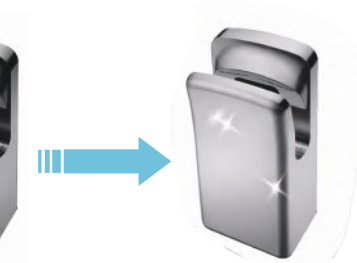
material: AISI 304 stainless steel  
finish: satin



**IP34 protection**  
Washable cleaning



**Reliable and hygiene guarantee**  
Use the detergent to clean  
Use the sanitizer to disinfect  
UV ray disinfection



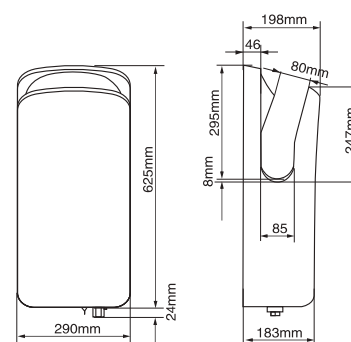
**Remove all of bacteria**

#### COMPONENTS & MATERIALS

- High speed self-developed brushless DC motor.
- Overall stainless steel food grade 304, including inner structures & install screws.
- One-piece cover stainless steel with fingerprint-proof finish, no any gap.
- No fear of fire, burning cigarette butts. Scratch can be repaired.
- HEPA filter, efficient to blocks 99.95% of 0.3 μ m particles, flannelette can be washed for repeated use.
- Washable with water. Disinfect with disinfectant, ultraviolet rays and hot water.
- Inner tank to collect the water. Removable water tank, with external valve for easy emptying.
- Self protect system: current protection, temperature protection, short circuits protection, and electromotor protection.

#### TECHNICAL SPECIFICATIONS

|                       |          |                         |             |
|-----------------------|----------|-------------------------|-------------|
| Cover thickness       | 1mm      | Noice level             | <68dB       |
| Voltage               | 220–240V | Protection level        | IP34        |
| Frequency             | 50/60Hz  | Air Temperature         | 20–40°C     |
| Total power           | 2200W    | Drying time             | 5–10s       |
| Motor Power           | 700W     | Air Velocity            | 95m/s       |
| Heating element power | 1500W    | r.p.m.                  | 19000–20000 |
| Weight                | 13kg     | Automatic disconnection | 25 seconds  |



\*Note: technical data is suitable for machine with brushless motor.

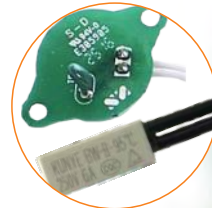
# SECURITY CONVENIENT EXCLUSIVE



Logo highlight



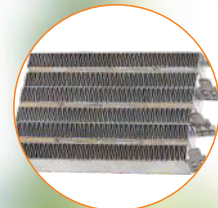
Sensor (original from Germany)  
Light screen  
Red light will blink after continuous operation 25s.



High temperature protector  
Mechanical break-make equipment



HEPA filter  
Blocks 99.9% of 0.3 µm particles



PTC heating element no fear fire



Anti-theft design for water tank



Water from hands is collected  
No hazardous water waste on the floor



On/Off switch for heating element  
Variable speed  
Main switch



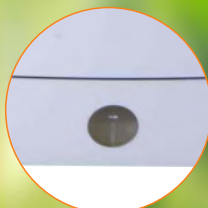
Brush motor  
Brushless motor



light for sensor  
Water level sensor



PCB for brush AC motor  
PCB for brushless DC motor



Red light for reminding emptying



**11.114**

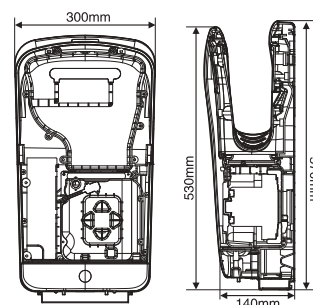
material: ABS  
finish: white

**COMPONENTS & MATERIALS**

- High speed self-developed brushless DC motor, brush motor is optional.
- ABS cover.
- HEPA filter, efficient to blocks 99.95% of 0.3  $\mu\text{m}$  particles, flannelette can be washed for repeated use.
- Inner tank to collect the water. Removable water tank, with external valve for easy emptying.
- Optical warning of full water tank
- Frontal leds showing the status of the hand dryer.
- Self protect system: current protection, temperature protection, short circuits protection, and electromotor protection.

**TECHNICAL SPECIFICATIONS**

|                       |            |                         |            |
|-----------------------|------------|-------------------------|------------|
| Cover thickness (ABS) | 3mm        | Air Temperature         | 25–40°C    |
| Voltage               | 220–240V   | Drying time             | 5–10s      |
| Frequency             | 50/60Hz    | Air Velocity            | 90–95m/s   |
| Total power           | 1300-1800W | r.p.m.                  | 21000      |
| Motor Power           | 500-700W   | Automatic disconnection | 30 seconds |
| Heating element power | 800-1100W  | Electrical Isolation    | class I    |
| Noice level           | <68dB      | Weight (ABS)            | 9,5kg      |
| Protection level      | IPX4       |                         |            |



\*Note: technical data is suitable for machine with brushless motor.

# Hand Dryers

Designed to care your hands



CE CB RoHS

**11.101**

material: ABS  
finish: white

**11.102**

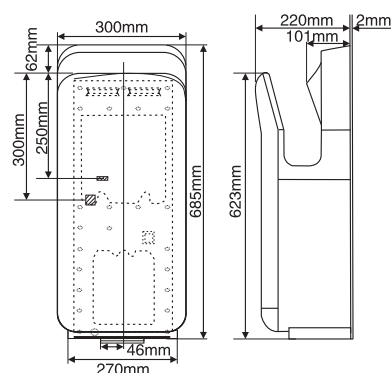
material: ABS  
finish: silver grey

**COMPONENTS & MATERIALS**

- High speed self-developed brushless motor, brush motor is optional.
- High-impact ABS.
- Motor power adjustable, allowing electricity consumption to be regulated.
- 3 IR sensors in both sides for automatic hands detection.
- Filter which avoids the entry of the larger particles.
- Internal tank to collect the water and avoid a mess.
- An optional odor neutralizer for a cleaner and more pleasant atmosphere in the bathroom.
- Frontal leds showing the status of the hand dryer.
- Self protect system: current protection, temperature protection, short circuits protection, and electromotor protection.

**TECHNICAL SPECIFICATIONS**

|                       |            |                         |            |
|-----------------------|------------|-------------------------|------------|
| Cover thickness       | 3mm        | Noice level             | <72dB      |
| Voltage               | 220–240V   | Protection level        | IPX4       |
| Frequency             | 50/60Hz    | Air Temperature         | 20–40°C    |
| Total power           | 1650–2050W | Drying time             | 5–7s       |
| Motor Power           | 750W       | Air Velocity            | 95m/s      |
| Heating element power | 900–1300W  | r.p.m.                  | 20000      |
| Weight                | 11kg       | Automatic disconnection | 25 seconds |
| Electrical Isolation  | class I    |                         |            |



\*Note: technical data is suitable for machine with brushless motor.



**11.103**

material: ABS  
finish: white



**11.104**

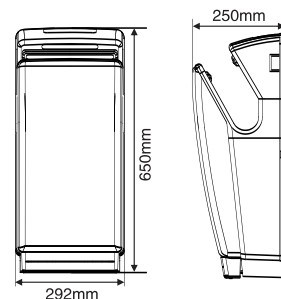
material: ABS  
finish: silver grey

**COMPONENTS & MATERIALS**

- High speed self-developed brush motor.
- High-impact ABS.
- Motor power adjustable, allowing electricity consumption to be regulated.
- 5 IR sensors in both sides for automatic hands detection.
- Filter which avoids the entry of the larger particles.
- Internal tank to collect the water and avoid a mess.
- An optional odor neutralizer for a cleaner and more pleasant atmosphere in the bathroom.
- Frontal leds showing the status of the hand dryer.
- Self protect system: current protection, temperature protection, short circuits protection, and electromotor protection.

**TECHNICAL SPECIFICATIONS**

|                       |          |                         |             |
|-----------------------|----------|-------------------------|-------------|
| Cover thickness       | 3mm      | Noice level             | < 85dB      |
| Voltage               | 220–240V | Protection level        | IPX1        |
| Frequency             | 50/60Hz  | Air Temperature         | 23–42°C     |
| Total power           | 1800W    | Drying time             | 10–15s      |
| Motor Power           | 750W     | Air Velocity            | 75m/s       |
| Heating element power | 1050W    | r.p.m.                  | 11000–20000 |
| Weight                | 10kg     | Automatic disconnection | 30 seconds  |
| Electrical Isolation  | class I  |                         |             |



**11.105**

material: ABS  
finish: white

**11.106**

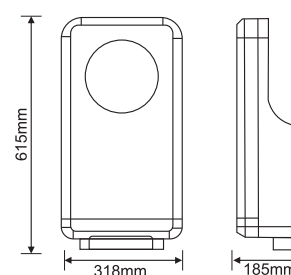
material: ABS  
finish: silver grey

**COMPONENTS & MATERIALS**

- High speed self-developed brushless motor, brush motor is optional.
- High-impact ABS.
- Motor power adjustable, allowing electricity consumption to be regulated.
- 3 IR sensor on the top for automatic hands detection.
- HEPA filter which avoids the entry of the tiny particles.
- Ratio of antibiosis thereof can be over 99%.
- Internal tank to collect the water and avoid a mess.
- An optional odor neutralizer for a cleaner and more pleasant atmosphere in the bathroom.
- Frontal leds showing the status of the hand dryer.
- Self protect system: current protection, temperature protection, short circuits protection, and electromotor protection.

**TECHNICAL SPECIFICATIONS**

|                       |            |                         |             |
|-----------------------|------------|-------------------------|-------------|
| Cover thickness       | 3mm        | Noice level             | <69dB       |
| Voltage               | 220–240V   | Protection level        | IPX4        |
| Frequency             | 50/60Hz    | Air Temperature         | 20–40°C     |
| Total power           | 1000–1300W | Drying time             | 7–10s       |
| Motor Power           | 450–750W   | Air Velocity            | 75–110m/s   |
| Heating element power | 550W       | r.p.m.                  | 11000–20000 |
| Weight                | 9.6kg      | Automatic disconnection | 25 seconds  |
| Electrical Isolation  | class I    |                         |             |



\*Note: technical data is suitable for machine with brushless motor.





**11.107**

material: ABS  
finish: white



**11.108**

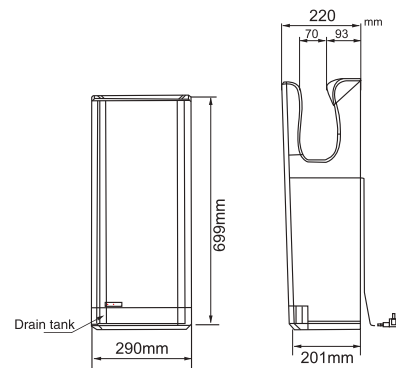
material: ABS  
finish: silver grey

**COMPONENTS & MATERIALS**

- High speed self-developed brushless motor, brush motor is optional.
- High-impact ABS.
- Motor power adjustable, allowing electricity consumption to be regulated.
- 4 IR sensors in both sides for automatic hands detection.
- HEPA filter which avoids the entry of the tiny particles.
- Ratio of antibiosis thereof can be over 99%.
- Internal tank to collect the water and avoid a mess.
- An optional odor neutralizer for a cleaner and more pleasant atmosphere in the bathroom.
- Frontal leds showing the status of the hand dryer.
- Self protect system: current protection, temperature protection, short circuits protection, and electromotor protection.

**TECHNICAL SPECIFICATIONS**

|                       |            |                         |            |
|-----------------------|------------|-------------------------|------------|
| Cover thickness       | 3mm        | Noice level             | <72dB      |
| Voltage               | 220–240V   | Protection level        | IPX4       |
| Frequency             | 50/60Hz    | Air Temperature         | 20–40°C    |
| Total power           | 1850–2300W | Drying time             | 7–9s       |
| Motor Power           | 550W       | Air Velocity            | 95–100m/s  |
| Heating element power | 1300–1750W | r.p.m.                  | 20000      |
| Weight                | 9.5kg      | Automatic disconnection | 25 seconds |
| Electrical Isolation  | class I    |                         |            |



\*Note: technical data is suitable for machine with brushless motor.

**11.109**

material: ABS

finish: white

**11.110**

material: ABS

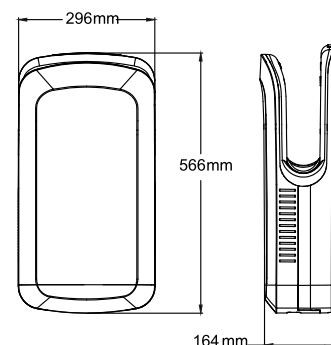
finish: silver grey

**COMPONENTS & MATERIALS**

- High speed self-developed brushless motor, brush motor is optional.
- High-impact ABS.
- Motor power adjustable, allowing electricity consumption to be regulated.
- 3 IR sensors in both sides for automatic hands detection.
- HEPA filter which avoids the entry of the tiny particles.
- Ratio of antibiosis thereof can be over 99%.
- Internal tank to collect the water and avoid a mess.
- An optional odor neutralizer for a cleaner and more pleasant atmosphere in the bathroom.
- Frontal leds showing the status of the hand dryer.
- Self protect system: current protection, temperature protection, short circuits protection, and electromotor protection.

**TECHNICAL SPECIFICATIONS**

|                       |            |                         |            |
|-----------------------|------------|-------------------------|------------|
| Cover thickness       | 3mm        | Noice level             | <60dB      |
| Voltage               | 220–240V   | Protection level        | IPX4       |
| Frequency             | 50/60Hz    | Air Temperature         | 25–40°C    |
| Total power           | 1300–1800W | Drying time             | 5–10s      |
| Motor Power           | 500–700W   | Air Velocity            | 85–105m/s  |
| Heating element power | 800–1100W  | r.p.m.                  | 21500      |
| Weight                | 7kg        | Automatic disconnection | 30 seconds |
| Electrical Isolation  | class I    |                         |            |



\*Note: technical data is suitable for machine with brushless motor.



**11.111**

material: ABS  
finish: white



**11.112**

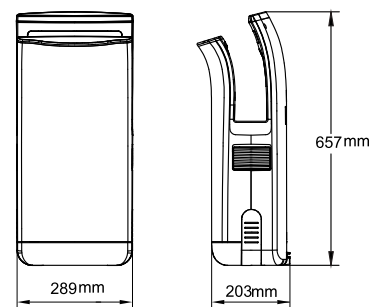
material: ABS  
finish: silver grey

**COMPONENTS & MATERIALS**

- High speed self-developed brushless motor, brush motor is optional.
- High-impact ABS.
- Motor power adjustable, allowing electricity consumption to be regulated.
- 3 IR sensors in both sides for automatic hands detection.
- HEPA filter which avoids the entry of the tiny particles.
- Ratio of antibiosis thereof can be over 99%.
- Internal tank to collect the water and avoid a mess.
- An optional odor neutralizer for a cleaner and more pleasant atmosphere in the bathroom.
- Frontal leds showing the status of the hand dryer.
- Self protect system: current protection, temperature protection, short circuits protection, and electromotor protection.

**TECHNICAL SPECIFICATIONS**

|                       |            |                         |            |
|-----------------------|------------|-------------------------|------------|
| Cover thickness       | 3mm        | Noice level             | <60dB      |
| Voltage               | 220-240V   | Protection level        | IPX4       |
| Frequency             | 50/60Hz    | Air Temperature         | 25-40°C    |
| Total power           | 1300-1800W | Drying time             | 5-10s      |
| Motor Power           | 500-700W   | Air Velocity            | 85-105m/s  |
| Heating element power | 800-1100W  | r.p.m.                  | 21500      |
| Weight                | 8kg        | Automatic disconnection | 30 seconds |
| Electrical Isolation  | class I    |                         |            |



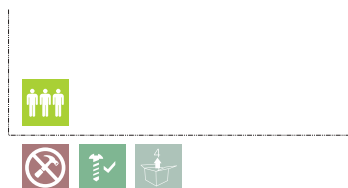
\*Note: technical data is suitable for machine with brushless motor.

**11.211**

material: steel  
finish: white enamelled coating

**11.212**

material: AISI 304 stainless steel  
finish: bright

**11.213**

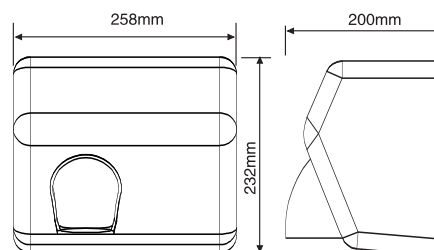
material: AISI 304 stainless steel  
finish: satin

**COMPONENTS & MATERIALS**

- One-piece cover bright or satin finish, 1 mm thick.
- Weld-free cover fixed to the base with two vandal-proof lock screws.
- Universal brush motor incorporating a safety thermal cut-off.
- Aluminium centrifugal double inlet fan wheel.
- Element incorporates a safety thermal cut-off.
- Electronic infrared detection sensor. Detection distance adjustable by potentiometer(5–20cm).
- 360° revolving nozzle in chrome-plated zamak.

**TECHNICAL SPECIFICATIONS**

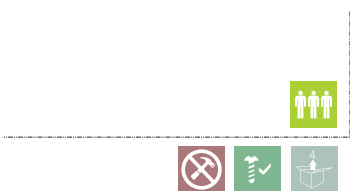
|                      |          |                         |            |
|----------------------|----------|-------------------------|------------|
| Cover thickness      | 1mm      | Noise level             | <75dB      |
| Voltage              | 220–240V | Protection level        | IP23       |
| Frequency            | 50/60Hz  | Air Temperature         | 45–70°C    |
| Total power          | 2300W    | Drying time             | 15–20s     |
| Motor Power          | 200W     | Air Velocity            | 22m/s      |
| Consumption          | 10A      | r.p.m.                  | 5800       |
| Weight               | 4.7kg    | Automatic disconnection | 60 seconds |
| Electrical Isolation | class I  |                         |            |





**11.214**

material: steel  
finish: white enameled coating



**11.215**

material: AISI 304 stainless steel  
finish: bright



**11.216**

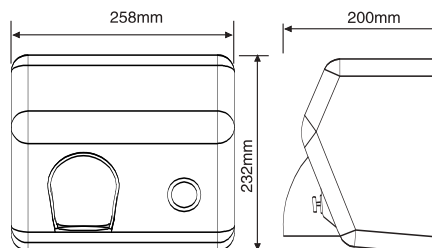
material: AISI 304 stainless steel  
finish: satin

**COMPONENTS & MATERIALS**

- One-piece cover white bright or satin finish, 1mm thick.
- Weld-free cover fixed to the base with two vandal-proof lock screws.
- Universal brush motor incorporating a safety thermal cut-off.
- Aluminium centrifugal double inlet fan wheel.
- Element incorporates a safety thermal cut-off.
- Electronic infrared detection sensor. Detection distance adjustable by potentiometer(5–20cm).
- 360° revolving nozzle in chrome-plated zamak.
- Chrome-plated zamak button activates an electronic timer with a 30-second cycle.

**TECHNICAL SPECIFICATIONS**

|                      |          |                         |            |
|----------------------|----------|-------------------------|------------|
| Cover thickness      | 1mm      | Noise level             | <75dB      |
| Voltage              | 220–240V | Protection level        | IP23       |
| Frequency            | 50/60Hz  | Air Temperature         | 45–70°C    |
| Total power          | 2300W    | Drying time             | 15–20s     |
| Motor Power          | 200W     | Air Velocity            | 22m/s      |
| Consumption          | 10A      | r.p.m.                  | 5800       |
| Weight               | 4.7kg    | Automatic disconnection | 15 seconds |
| Electrical Isolation | class I  |                         |            |



**11.221**

material: steel  
finish: white enamelled coating

**11.222**

material: AISI 304 stainless steel  
finish: bright

**11.223**

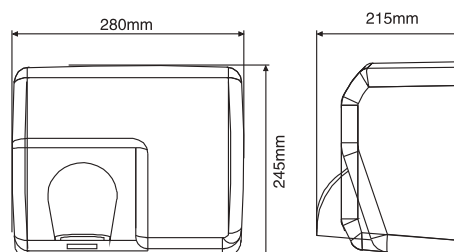
material: AISI 304 stainless steel  
finish: satin

**COMPONENTS & MATERIALS**

- Weld-free cover fixed to the base with two vandal-proof lock screws.
- Universal brush motor incorporating a safety thermal cut-off.
- Aluminium centrifugal double inlet fan wheel.
- Element incorporates a safety thermal cut-off.
- Electronic infrared detection sensor. Detection distance adjustable by potentiometer(5–20cm).
- 360° revolving nozzle in chrome-plated zamak.

**TECHNICAL SPECIFICATIONS**

|                      |          |                         |            |
|----------------------|----------|-------------------------|------------|
| Cover thickness      | 1mm      | Noise level             | < 78dB     |
| Voltage              | 220–240V | Protection level        | IP23       |
| Frequency            | 50/60Hz  | Air Temperature         | 65 ± 15°C  |
| Total power          | 2300W    | Drying time             | 15–20s     |
| Motor Power          | 250W     | Air Velocity            | > 23m/s    |
| Consumption          | 10A      | r.p.m.                  | 6200       |
| Weight               | 5.9kg    | Automatic disconnection | 60 seconds |
| Electrical Isolation | class I  |                         |            |





**11.224**

material: steel  
finish: white enameled coating



**11.225**

material: AISI 304 stainless steel  
finish: bright



**11.226**

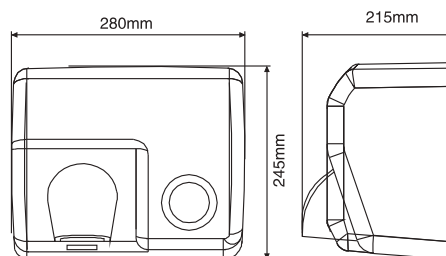
material: AISI 304 stainless steel  
finish: satin

**COMPONENTS & MATERIALS**

- Weld-free cover fixed to the base with two vandal-proof lock screws.
- Universal brush motor incorporating a safety thermal cut-off.
- Aluminium centrifugal double inlet fan wheel.
- Element incorporates a safety thermal cut-off.
- Electronic infrared detection sensor. Detection distance adjustable by potentiometer(5–20cm).
- 360° revolving nozzle in chrome-plated zamak.
- Chrome-plated zamak button activates an electronic timer with a 30-second cycle.

**TECHNICAL SPECIFICATIONS**

|                      |          |                         |           |
|----------------------|----------|-------------------------|-----------|
| Cover thickness      | 1mm      | Noise level             | < 78dB    |
| Voltage              | 220–240V | Protection level        | IP23      |
| Frequency            | 50/60Hz  | Air Temperature         | 65 ± 15°C |
| Total power          | 2300W    | Drying time             | 15–20s    |
| Motor Power          | 250W     | Air Velocity            | > 23m/s   |
| Consumption          | 10A      | r.p.m.                  | 6200      |
| Weight               | 5.9kg    | Automatic disconnection | 15–40s    |
| Electrical Isolation | class I  |                         |           |

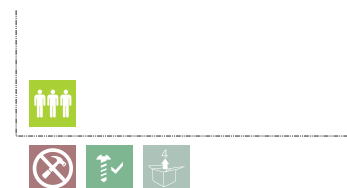


**11.231**

Material: ABS  
finish: white

**11.232.W**

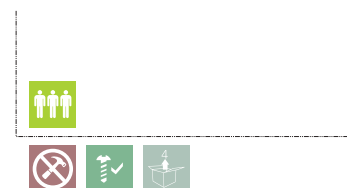
material: steel  
finish: white enamelled coating

**11.232.B**

material: steel  
finish: black enamelled coating

**11.233.S**

material: AISI 304 stainless steel  
finish: satin

**11.233.B**

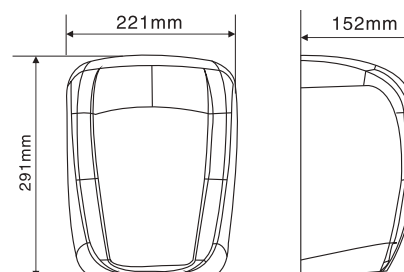
material: AISI 304 stainless steel  
finish: bright

**COMPONENTS & MATERIALS**

- The cover fixed to the base with two vandal-proof lock screws.
- Universal brush motor incorporating a safety thermal cut-off.
- Aluminium centrifugal double inlet fan wheel.
- Element incorporates a safety thermal cut-off.
- Selective detection of fixed targets and system of automatic disconnection after 60 seconds of continuous use.
- Electronic infrared detection sensor. Detection distance adjustable by potentiometer(5–20cm).

**TECHNICAL SPECIFICATIONS**

|                      |               |                         |            |
|----------------------|---------------|-------------------------|------------|
| Cover thickness      | 2.8mm         | Noice level             | < 78dB     |
| Voltage              | 220–240V      | Protection level        | IP23       |
| Frequency            | 50/60Hz       | Air Temperature         | 65 ± 15°C  |
| Total power          | 1800W         | Drying time             | 10–15s     |
| Motor Power          | 550W          | Air Velocity            | 85m/s      |
| Consumption          | 7.8A          | r.p.m.                  | 20000      |
| Weight               | 3.3/3.9/3.6kg | Automatic disconnection | 30 seconds |
| Electrical Isolation | class I       | (11.231 class II)       |            |







**11.241**

Material: ABS  
finish: white



**11.242.W**

material: steel  
finish: white enamelled coating



**11.242. B**

material: steel  
finish: black enamelled coating



**11.243.S**

material: AISI 304 stainless steel  
finish: satin



**11.243.B**

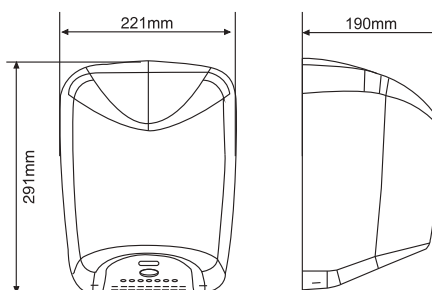
material: AISI 304 stainless steel  
finish: bright

**COMPONENTS & MATERIALS**

- The cover fixed to the base with four vandal-proof lock screws and a special holder.
- Universal brush motor incorporating a safety thermal cut-off.
- Aluminium centrifugal double inlet fan wheel.
- Element incorporates a safety thermal cut-off.
- Selective detection of fixed targets and system of automatic disconnection after 60 seconds of continuous use.
- Electronic infrared detection sensor. Detection distance adjustable by potentiometer(5–20cm).

**TECHNICAL SPECIFICATIONS**

|                      |               |                         |            |
|----------------------|---------------|-------------------------|------------|
| Cover thickness      | 2.8mm         | Noice level             | < 78dB     |
| Voltage              | 220–240V      | Protection level        | IP23       |
| Frequency            | 50/60Hz       | Air Temperature         | 65 ± 15°C  |
| Total power          | 1800W         | Drying time             | 10–15s     |
| Motor Power          | 550W          | Air Velocity            | 85m/s      |
| Consumption          | 7.8A          | r.p.m.                  | 20000      |
| Weight               | 3.3/3.8/3.6kg | Automatic disconnection | 30 seconds |
| Electrical Isolation | class I       | (11.241 class II)       |            |



### 11.251

Material: ABS  
finish: white



### 11.252.W

material: steel  
finish: white enamelled coating



### 11.252.B

material: steel  
finish: black enamelled coating

### 11.253.S

material: AISI 304 stainless steel  
finish: satin



### 11.253.B

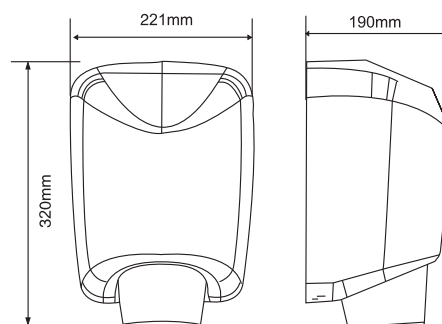
material: AISI 304 stainless steel  
finish: bright

#### COMPONENTS & MATERIALS

- The cover fixed to the base with two vandal-proof lock screws.
- Universal brush motor incorporating a safety thermal cut-off.
- Aluminium centrifugal double inlet fan wheel.
- Element incorporates a safety thermal cut-off.
- Selective detection of fixed targets and system of automatic disconnection after 60 seconds of continuous use.
- Electronic infrared detection sensor. Detection distance adjustable by potentiometer(5–20cm).

#### TECHNICAL SPECIFICATIONS

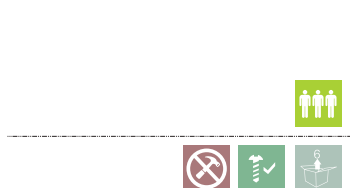
|                      |               |                         |            |
|----------------------|---------------|-------------------------|------------|
| Cover thickness      | 2.8mm         | Noise level             | < 78dB     |
| Voltage              | 220–240V      | Protection level        | IP23       |
| Frequency            | 50/60Hz       | Air Temperature         | 65 ± 15°C  |
| Total power          | 1800W         | Drying time             | 10–15s     |
| Motor Power          | 550W          | Air Velocity            | 85m/s      |
| Consumption          | 7.8A          | r.p.m.                  | 20000      |
| Weight               | 3,4/4,0/3,7kg | Automatic disconnection | 30 seconds |
| Electrical Isolation | class I       | (11.251 class II)       |            |





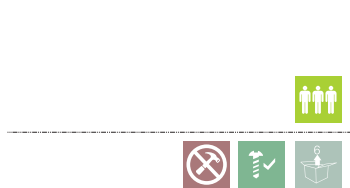
**11.261**

Material: ABS  
finish: white



**11.262**

material: AISI 304 stainless steel  
finish: bright



**11.263**

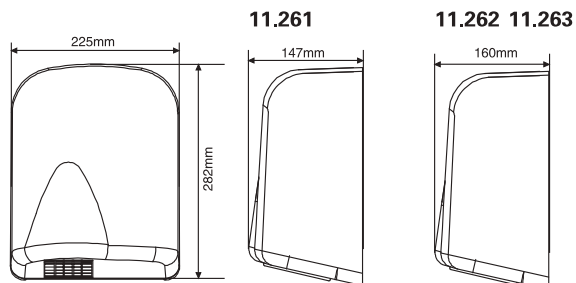
material: AISI 304 stainless steel  
finish: satin

**COMPONENTS & MATERIALS**

- ABS thermoplastic one-piece cover, 2.8mm thick.
- Stainless steel one-piece cover, 1mm thick.
- Cover fixed to the base by means of 2 screws.
- PP aluminium centrifugal single inlet fan wheel.
- Induction motor incorporating a safety thermal cut-off.
- Waved wire heating element, incorporates a self-resettable safety thermal cut-off at 120°C.
- Electronic infrared detection sensor. Adjustable detection distance (5–20 cm).

**TECHNICAL SPECIFICATIONS**

|                      |         |                 |                   |
|----------------------|---------|-----------------|-------------------|
| Total power          | 1650W   | Air Temperature | 65 ± 15°C         |
| Motor Power          | 60W     | Protect Time    | 60 seconds        |
| r.p.m.               | 2500    | Drying time     | 30–40s            |
| Protection level     | IP23    | Weight          | 2.6/3.1/3.1kg     |
| Consumption          | 7.2A    | Noise level     | < 70dB            |
| Air Velocity         | > 11m/s | Senser Distance | 5–20cm            |
| Electrical Isolation | class I |                 | (11.261 class II) |



**11.271**

Material: ABS  
finish: white

**11.272**

material: AISI 304 stainless steel  
finish: bright

**11.273**

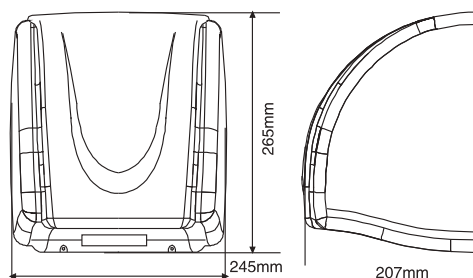
material: AISI 304 stainless steel  
finish: satin

**COMPONENTS & MATERIALS**

- ABS thermoplastic one-piece cover, 2.8mm thick.
- Stainless steel one-piece cover, 1mm thick
- Cover fixed to the base by means of 2 screws.
- PP aluminium centrifugal single inlet fan wheel.
- Induction motor incorporating a safety thermal cut-off.
- Waved wire heating element, incorporates a self-resettable safety thermal cut-off at 120°C.
- Electronic infrared detection sensor. Adjustable detection distance (5–20 cm).

**TECHNICAL SPECIFICATIONS**

|                       |           |                         |            |
|-----------------------|-----------|-------------------------|------------|
| Total power           | 2100W     | Noise level             | < 75dB     |
| Voltage               | 220–240V  | Protection level        | IP23       |
| Frequency             | 50/60Hz   | Air Temperature         | 65 ± 15°C  |
| Heating element power | 1980W     | Drying time             | 25–30s     |
| Motor Power           | 150W      | Air Velocity            | > 20m/s    |
| Consumption           | 9,1A      | r.p.m.                  | 5000       |
| Weight                | 2.9/3.6kg | Automatic disconnection | 60 seconds |
| Electrical Isolation  | class I   |                         |            |





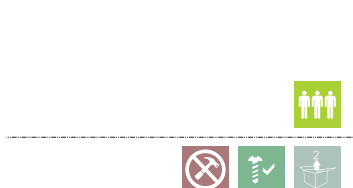
### 11.281

material: steel  
finish: white enamelled coating



### 11.282

material: AISI 304 stainless steel  
finish: bright



### 11.283

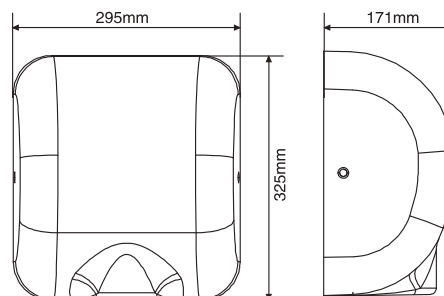
material: AISI 304 stainless steel  
finish: satin

#### COMPONENTS & MATERIALS

- The cover fixed to the base with one vandal-proof lock screws.
- Universal brush motor incorporating a safety thermal cut-off.
- Aluminium centrifugal double inlet fan wheel.
- Element incorporates a safety thermal cut-off.
- Selective detection of fixed targets and system of automatic disconnection after 60 seconds of continuous use.
- Electronic infrared detection sensor. Detection distance adjustable by potentiometer(5–20cm).

#### TECHNICAL SPECIFICATIONS

|                       |           |                         |            |
|-----------------------|-----------|-------------------------|------------|
| Total power           | 1800W     | Noice level             | < 78dB     |
| Voltage               | 220–240V  | Protection level        | IP23       |
| Frequency             | 50/60Hz   | Air Temperature         | 65 ± 15°C  |
| Heating element power | 1200W     | Drying time             | 10–15s     |
| Motor Power           | 650W      | Air Velocity            | > 85m/s    |
| Consumption           | 7.8A      | r.p.m.                  | 20000      |
| Weight                | 5.2/4.9kg | Automatic disconnection | 60 seconds |
| Electrical Isolation  | class I   |                         |            |



**11.301**

Material: ABS  
finish: white

**11.302**

Material: ABS  
finish: white

**COMPONENTS & MATERIALS**

- ABS thermoplastic one-piece cover, 2.8mm thick
- Cover fixed to the base by means of 4 screws.
- PP aluminium centrifugal single inlet fan wheel.
- Induction motor incorporating a safety thermal cut-off.
- Waved wire heating element, incorporates a self-resetable safety thermal cut-off at 120°C.
- Electronic infrared detection sensor. Adjustable detection distance (5–20 cm).

**TECHNICAL SPECIFICATIONS**

| 11.301               |            | 11.302               |            |
|----------------------|------------|----------------------|------------|
| Total power          | 1200W      | Total power          | 1800W      |
| Motor Power          | 50W        | Motor Power          | 60W        |
| r.p.m.               | 3600       | r.p.m.               | 2800       |
| Protection level     | IPX1       | Protection level     | IPX1       |
| Consumption          | 5.2A       | Consumption          | 7.8A       |
| Air Velocity         | > 12m/s    | Air Velocity         | > 11m/s    |
| Noice level          | < 70dB     | Noice level          | < 70dB     |
| Senser Distance      | 5–20cm     | Senser Distance      | 5–20cm     |
| Air Temperature      | 65 ± 15°C  | Air Temperature      | 65 ± 15°C  |
| Protect Time         | 60 seconds | Protect Time         | 60 seconds |
| Drying time          | 30–40s     | Drying time          | 30–40s     |
| Weight               | 1.5kg      | Weight               | 2.5kg      |
| Electrical Isolation | class II   | Electrical Isolation | class II   |

