

A close-up photograph of a hand being washed under a running faucet. The hand is covered in thick, white soap suds. Water is flowing from the faucet into the sink. The background is a plain, light-colored wall.

Soap Dispensers

A variety of shapes and sizes

- First class material, including stainless steel lock
- Anti-dripping and anti-corrosion valve
- Maximal convenience, suitable for all types of soap, except for surgical soap.
- Housing with 1 viewing slot to show when the refill is required

To be installed in all areas. Ideal for restaurant, office, hotels, etc.

CE



tray for 500 ml
Reference: 13.600



13.611

feature: liquid

13.612

feature: spray

13.613

feature: foam

material: Aluminium + stainless steel pressure level

capacity: 0.5L

finish: silver



tray for 1000 ml
Reference: 13.601



13.614

feature: liquid

13.615

feature: spray

13.616

feature: foam

material: Aluminium + stainless steel pressure level

capacity: 1.0L

finish: silver

COMPONENTS & MATERIALS

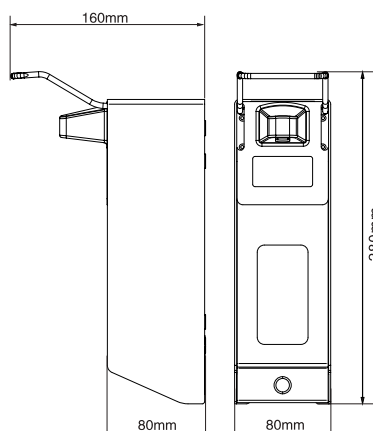
- Made in Aluminium, silver finish.
- Stainless steel 304 pressure level.
- Security lock with standard key.
- Suitable for soaps, alcohol or sanitizer.
- To refill, lid opens for top filling only with special key provided.
- Anti vandal polycarbonate soap level viewer.
- Hidden wall fixation. Screws and sticker provided.
- Clean the soap dispenser with mild and non-abrasive detergent.
- Avoid contact with, acids, solvents and chemicals.
- Liquid, foam & spray pump are optional.

TECHNICAL SPECIFICATIONS

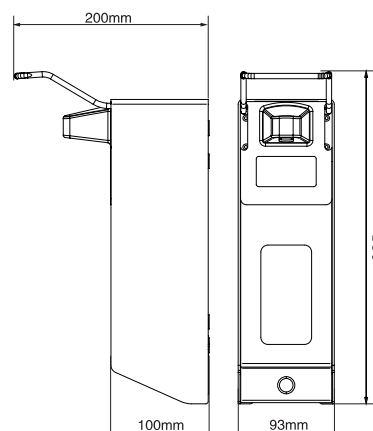
13.611 13.612 13.613

| | |
|-----------------------------|---------------------|
| Thickness | 2.0 mm |
| Capacity | 0.5L |
| Quantity dispensed per pump | 1.5–4.0ml |
| Tray dimension | H142 x W92 x D265mm |

13.611 13.612 13.613



13.614 13.615 13.616



13.614 13.615 13.616

| | |
|-----------------------------|----------------------|
| Thickness | 2.0 mm |
| Capacity | 1.0L |
| Quantity dispensed per pump | 1.5–4.0ml |
| Tray dimension | H180 x W104 x D320mm |

13.301

capacity: **0.7L**
 material: **AISI 304 stainless steel**
 finish: **satin**



13.302

capacity: **0.8L**
 material: **AISI 304 stainless steel**
 finish: **satin**



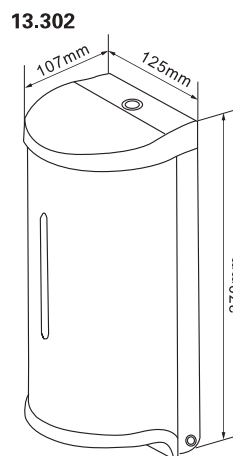
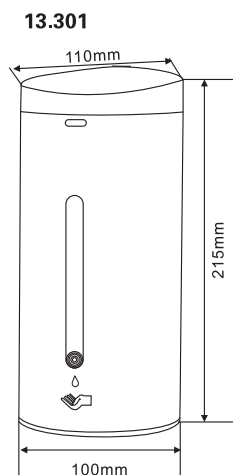
COMPONENTS & MATERIALS

- Automatic operation triggered by infrared sensors.
- LED flashes when the batteries need to be replaced.
- Suitable for neutral pH, chlorine-free liquid hand soap.
- Suitable for disinfectant solutions, liquid soaps or hydroalcoholic gel.
- Content viewer on the front.
- Lock and special key supplied.
- Adjustable distance detector for 5–10 cm.
- Power Supply: 6x1.5V "AA" size alkaline battery. (Batteries not included in dispenser.)

TECHNICAL SPECIFICATIONS

| 13.301 | |
|-----------------------------|----------------|
| Body thickness | 1.0mm |
| Suitable soaps | dermatological |
| Quantity dispensed per pump | 0.5–2.5ml |
| Weight | 1.3 kg |

| 13.302 | |
|-----------------------------|----------------|
| Body thickness | 1.0mm |
| Suitable soaps | dermatological |
| Quantity dispensed per pump | 1.0–1.5ml |
| Weight | 1.0 kg |





NEW



13.303

capacity: **0.8L**
 material: **AISI 304 stainless steel**
 finish: **satin**



NEW



13.305

capacity: **0.8L**
 material: **ABS**
 finish: **white**



NEW



13.309

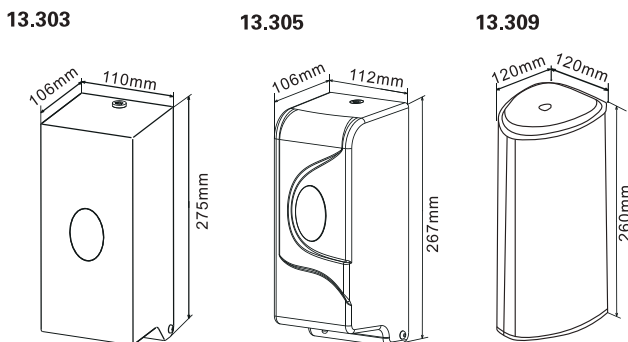
capacity: **0.85L**
 material: **ABS**
 finish: **white/silver**

COMPONENTS & MATERIALS

- Automatic soap dispenser, with infrared sensor.
- Designed for wall mounting, leaving the anchor hidden.
- Content viewer.
- Security lock.
- Flashing LED for battery change.
- Suitable for high traffic facilities.
- Works with 6 batteries of 1,5 V.
- Security lock with standard key.
- It normally goes with a warm air hand dryer.
- Suitable for liquid soaps or hydro-alcoholic gel.
- Adjustable triggering distance.
- Transparent plastic content viewer on the front.

TECHNICAL SPECIFICATIONS

| | |
|-----------------------------|-----------|
| 13.303 | |
| Quantity dispensed per pump | 1–1.2ml |
| Weight(empty dispenser): | 1.2kg |
| 13.305 | |
| Quantity dispensed per pump | 1–1.2ml |
| Weight(empty dispenser): | 1.05kg |
| 13.309 | |
| Quantity dispensed per pump | 0.5–2.5ml |
| Weight(empty dispenser): | 0.7kg |



13.304

capacity: **1.0L**
 material: **AISI 304 stainless steel**
 finish: **satin**



13.503

capacity: **1.0L**
 material: **ABS**
 finish: **white**



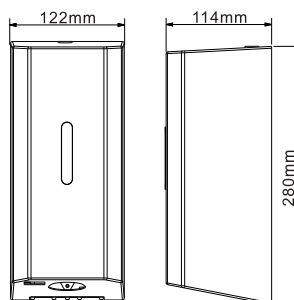
COMPONENTS & MATERIALS

- Automatic soap dispenser, with infrared sensor.
- Designed for wall mounting, leaving the anchor hidden.
- Content viewer.
- Security lock.
- Flashing LED for battery change.
- Suitable for high traffic facilities.
- Works with 4 batteries of 1,5 V type R14SG size C.
- Security lock with standard key.
- It normally goes with a warm air hand dryer.
- Suitable for liquid soaps or hydro-alcoholic gel.
- Adjustable triggering distance.
- Transparent plastic content viewer on the front.

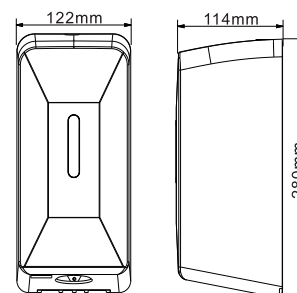
TECHNICAL SPECIFICATIONS

| | |
|-----------------------|-----------|
| Liquid pump/one time: | 1.2–1.5ml |
| Foam pump/one time: | 0.8ml |
| Spray pump/one time: | 0.4ml |

13.304



13.503





NEW



13.521

material: steel panel + aluminium pole
 finish: white or black



NEW



13.522

material: steel panel + aluminium pole
 finish: white or black

COMPONENTS & MATERIALS

- Sturdy and movable hand sanitizing station holder for HOTEC automatic soap dispensers.
- The hygiene station is the ideal mobile solution for hand hygiene, particularly in entrance areas. It does not need to be mounted to a wall or to the floor. With the optional disinfectant dispenser and drip tray, the hygiene station enables top hygiene standards for pubs, restaurants, hotels, and petrol stations etc.
- Can be set up at any kind of access route.
- Weather-resistant: also easily usable anywhere outdoors.
- Heavy base plate prevents tipping over. Can also be optionally screwed to the floor.

TECHNICAL SPECIFICATIONS

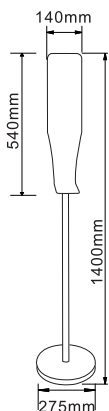
13.521

Weight: 5.15kg

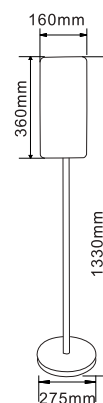
13.522

Weight: 5.0kg

13.521



13.522



SOAP DISPENSERS | **surface liquid** –push button

13.103

capacity: **1.0L**

13.104

capacity: **1.2L**

material: AISI 304 stainless steel

finish: satin/bright



13.115

capacity: **1.2L**

material: AISI 304 stainless steel

finish: **satin**



COMPONENTS & MATERIALS

- Stainless steel body.
- Fully welded structure.
- Content viewer on the front.
- Lock with standard key.
- Suitable for chlorine-free hand soap with a neutral pH.

13.103 13.104 13.115

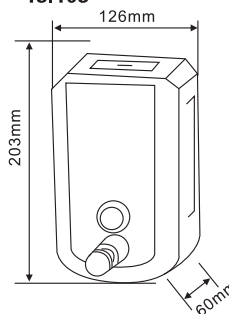
- Chrome-plated ABS thermoplastic valve.
- Chromed brass piston.

TECHNICAL SPECIFICATIONS

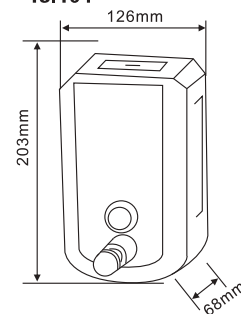
13.103 13.104

| | |
|-----------------------------|----------------|
| Body thickness | 0.6mm |
| Suitable soaps | dermatological |
| Quantity dispensed per pump | 1–1.2ml |
| Operable force | 26N |
| Weight (empty)(1L) | 0.6kg |
| Weight (empty)(1.2L) | 0.65kg |

13.103



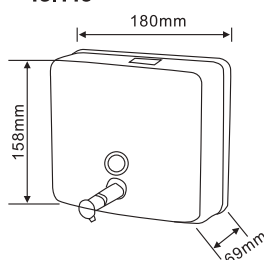
13.104



13.115

| | |
|-----------------------------|----------------|
| Body thickness | 0.6mm |
| Suitable soaps | dermatological |
| Quantity dispensed per pump | 1–1.2ml |
| Operable force | 26N |
| Weight (empty) | 0.8 kg |

13.115





13.112.ST



13.111

capacity: **1.0L**

13.112

capacity: **1.2L**

13.112.ST

capacity: **1.1L**

material: AISI 304 stainless steel

finish: **satin**



13.114.ST



13.113

capacity: **1.0L**

13.114

capacity: **1.2L**

13.114.ST

capacity: **1.1L**

material: AISI 304 stainless steel

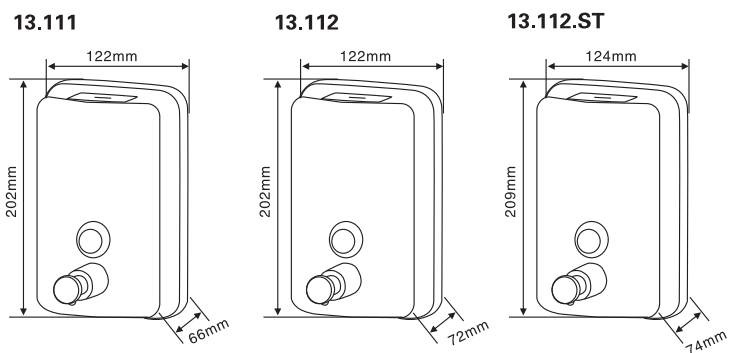
finish: **satin**

COMPONENTS & MATERIALS

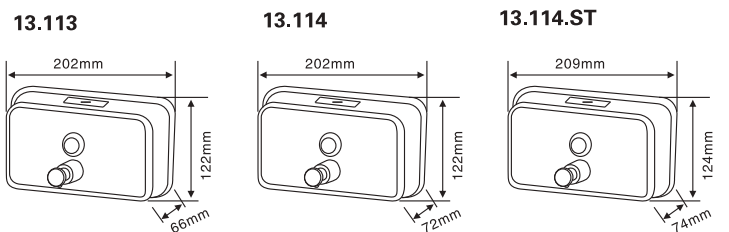
- Stainless steel body.
- Fully welded structure.
- Content viewer on the front.
- Lock and special key supplied.
- Suitable for chlorine-free hand soap with a neutral pH.
- Chromed brass piston.
- Chrome-plated ABS thermoplastic valve.

TECHNICAL SPECIFICATIONS

| 13.111 | 13.112 | 13.112.ST |
|-----------------------------|----------------|-----------|
| Body thickness | 0.6mm | |
| Suitable soaps | dermatological | |
| Quantity dispensed per pump | 1–1.2ml | |
| Operable force | 26N | |
| Weight (empty)(1L) | 0.475kg | |
| Weight (empty)(1.2L) | 0.525kg | |
| Weight (empty)(1.1L) | 0.625kg | |



| 13.113 | 13.114 | 13.114.ST |
|-----------------------------|----------------|-----------|
| Body thickness | 0.6mm | |
| Suitable soaps | dermatological | |
| Quantity dispensed per pump | 1–1.2ml | |
| Operable force | 26N | |
| Weight (empty)(1L) | 0.475kg | |
| Weight (empty)(1.2L) | 0.525kg | |
| Weight (empty)(1.1L) | 0.625kg | |



| SOAP DISPENSERS | **surface liquid** –push button

13.162

capacity: **1.2L**

13.162.ST

capacity: **1.1L**

material: **AISI 304 stainless steel**

finish: **satin**



13.162.ST

13.164

capacity: **1.2L**

13.164.ST

capacity: **1.1L**

material: **AISI 304 stainless steel**

finish: **satin**



13.164.ST

COMPONENTS & MATERIALS

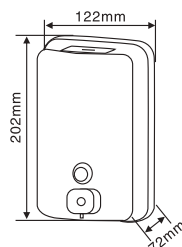
- Stainless steel body.
- Fully welded structure.
- Content viewer on the front.
- Lock and special key supplied.
- Suitable for chlorine-free hand soap with a neutral pH.
- Chromed brass piston.
- Chrome-plated ABS thermoplastic valve.

TECHNICAL SPECIFICATIONS

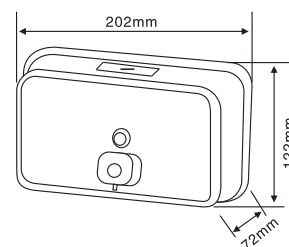
13.162 13.162.ST

| | |
|-----------------------------|----------------|
| Body thickness | 0.6mm |
| Suitable soaps | dermatological |
| Quantity dispensed per pump | 1–1.2ml |
| Operable force | 26N |
| Weight (empty)(1.1L) | 0.6 kg |
| Weight (empty)(1.2L) | 0.55 kg |

13.162



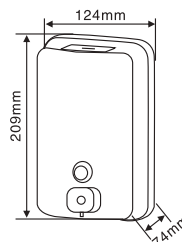
13.164



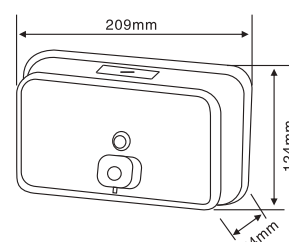
13.164 13.164.ST

| | |
|-----------------------------|----------------|
| Body thickness | 0.6mm |
| Suitable soaps | dermatological |
| Quantity dispensed per pump | 1–1.2ml |
| Operable force | 26N |
| Weight (empty)(1.1L) | 0.6 kg |
| Weight (empty)(1.2L) | 0.55 kg |

13.162.ST



13.164.ST





13.122

capacity: **1.2L**
 material: **AISI 304 stainless steel**
 finish: **satin**



13.132

capacity: **1.2L**
 material: **AISI 304 stainless steel**
 finish: **satin/bright**

COMPONENTS & MATERIALS

- Stainless steel body.
- Fully welded structure.
- Content viewer on the front.
- Lock and special key supplied.
- Suitable for chlorine-free hand soap with a neutral pH.
- Chrome-plated ABS thermoplastic valve.
- Chrome-plated plastic nozzle.

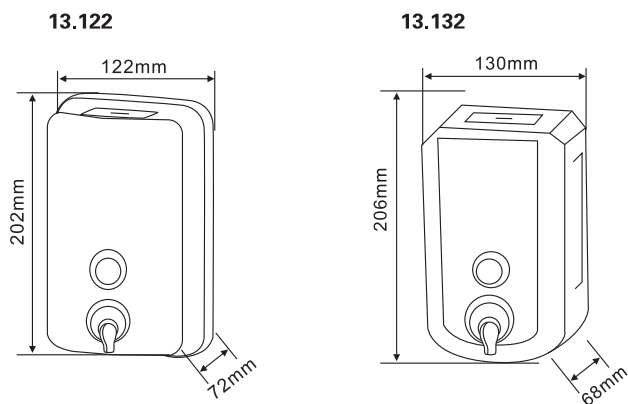
TECHNICAL SPECIFICATIONS

13.122

| | |
|-----------------------------|----------------|
| Body thickness | 0.6mm |
| Suitable soaps | dermatological |
| Quantity dispensed per pump | 1–1.2ml |
| Operable force | 26N |
| Weight (empty) | 0.65kg |

13.132

| | |
|-----------------------------|----------------|
| Body thickness | 0.6mm |
| Suitable soaps | dermatological |
| Quantity dispensed per pump | 1–1.2ml |
| Operable force | 26N |
| Weight (empty) | 0.65kg |



13.141

capacity: **0.35L**
 material: brass pump & PE bottle
 finish: chrome/white



13.142

capacity: **1.0L**
 material: brass pump & PE bottle
 finish: chrome/white



COMPONENTS & MATERIALS

- Vandal-resistant polyethylene tank.
- Bright finish chromed brass piston and spout.
- Fixed push-button.
- Bright finish chromed brass escutcheon.
- Suitable for chlorine-free hand soap with a neutral pH.

13.141

- Removable valve for refilling in the upper part.

13.142

- Removable valve for refilling in the lower part.

TECHNICAL SPECIFICATIONS

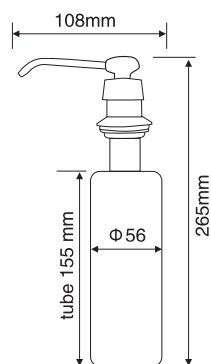
13.141

| | |
|-----------------------------|----------------|
| Countertop hole | Φ 24,5 mm |
| Escutcheon | Φ 42 mm |
| Suitable soaps | dermatological |
| Quantity dispensed per pump | 1ml |
| Weight (empty) | 0,24 kg |

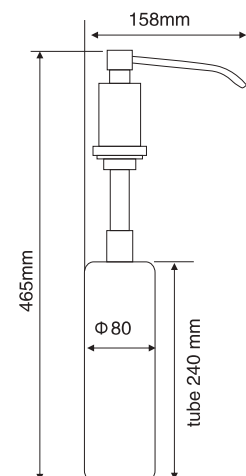
13.142

| | |
|-----------------------------|----------------|
| Countertop hole | Φ 22 mm |
| Escutcheon | Φ 51 mm |
| Suitable soaps | dermatological |
| Quantity dispensed per pump | 1ml |
| Weight (empty) | 0,6 kg |

13.141



13.142





13.201

capacity: **0.35L**
 material: ABS
 finish: white



13.202

capacity: **0.35Lx2**
 material: ABS
 finish: white

COMPONENTS & MATERIALS

- ABS thermoplastic body.
- ABS thermoplastic push-button.
- Special lock and key.
- Refill or disposable bottle.
- SAN thermoplastic tank.
- Corrosion-resistant anti-drip valve.
- Suitable for chlorine-free hand soap with a neutral pH.

TECHNICAL SPECIFICATIONS

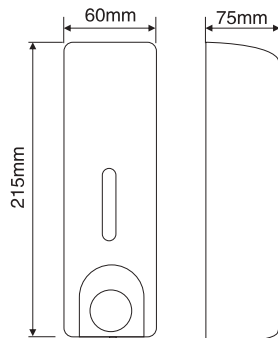
13.201

| | |
|-----------------------------|----------------|
| Body thickness | 3mm |
| Weight (empty) | 0.15 kg |
| Suitable soaps | dermatological |
| Quantity dispensed per pump | 1ml |
| Operable force | 26N |

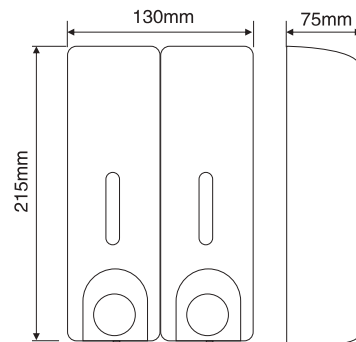
13.202

| | |
|-----------------------------|----------------|
| Body thickness | 3mm |
| Weight (empty) | 0.475 kg |
| Suitable soaps | dermatological |
| Quantity dispensed per pump | 1ml |
| Operable force | 26N |

13.201



13.202



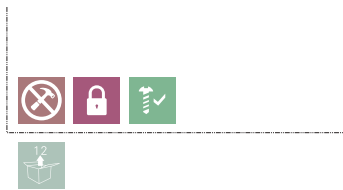
13.205

capacity: **1.0L**
 material: **ABS**
 finish: **white**



13.206

capacity: **1.0L**
 material: **ABS**
 finish: **white**



13.213

capacity: **1.0L**
 material: **ABS**
 finish: **white**

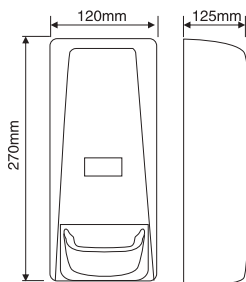


COMPONENTS & MATERIALS

- ABS thermoplastic body.
- ABS thermoplastic push-button.
- Special lock and key.
- Refill or disposable bottle.
- SAN thermoplastic tank.
- Corrosion-resistant anti-drip valve.
- Suitable for chlorine-free hand soap with a neutral pH.

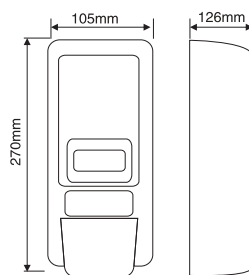
TECHNICAL SPECIFICATIONS

13.205



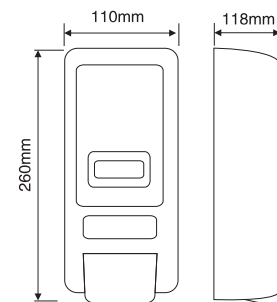
| | |
|-----------------------------|----------------|
| Body thickness | 3mm |
| Weight (empty) | 1.07 kg |
| Suitable soaps | dermatological |
| Quantity dispensed per pump | 1ml |
| Operable force | 26N |

13.206



| | |
|-----------------------------|----------------|
| Body thickness | 3mm |
| Weight (empty) | 0.58 kg |
| Suitable soaps | dermatological |
| Quantity dispensed per pump | 1ml |
| Operable force | 26N |

13.213



| | |
|-----------------------------|----------------|
| Body thickness | 3mm |
| Weight (empty) | 0.58 kg |
| Suitable soaps | dermatological |
| Quantity dispensed per pump | 0.8ml |
| Operable force | 26N |



13.506

capacity: **1.0L**
 material: **ABS**
 finish: **white**



13.507

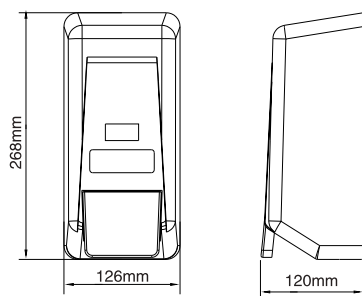
capacity: **0.8L**
 material: **ABS**
 finish: **white**

COMPONENTS & MATERIALS

- Vertical liquid soap dispenser for hang on wall.
- Made in ABS, white finish.
- Security lock with standard key.
- Suitable for liquid soaps or hydro-alcoholic gel.
- To refill, lid opens for top filling only with special key provided.
- Anti vandal polycarbonate soap level viewer.
- Clean the soap dispenser with mild and non-abrasive detergent. Avoid contact with, acids, solvents and chemicals.

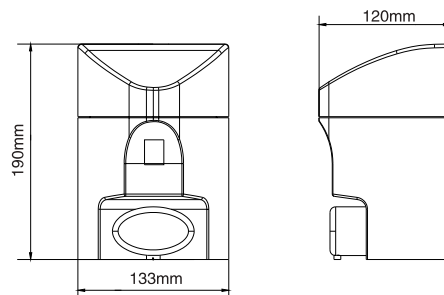
TECHNICAL SPECIFICATIONS

13.506



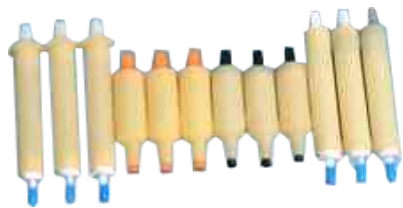
| | |
|-----------------------------|----------------|
| Body thickness | 3mm |
| Weight (empty) | 0.6 kg |
| Suitable soaps | dermatological |
| Quantity dispensed per pump | 1–1.2ml |
| Operable force | 26N |

13.507



| | |
|-----------------------------|----------------|
| Body thickness | 3mm |
| Weight (empty) | 0.3kg |
| Suitable soaps | dermatological |
| Quantity dispensed per pump | 1–1.2ml |
| Operable force | 26N |

HOTEC | SOAP DISPENSERS | accessories



silicone rubber tube



disposable soap bottle



soap bag



13.501 350ml
plastic refillable inner bottle



13.502 350ml
plastic disposable inner bottle



13.503 350ml
silicone rubber tube



13.506 1000ml
plastic refillable inner bottle



13.512
foam pump for refillable bottle



13.514
foam pump for disposable bottle



13.515 1000ml
Antibacterial refillable foaming pump bottle



13.516 1000ml
Antibacterial disposable foaming pump bottle



13.522
soap bag for 800ml



13.531
suit for 13.122, 13.132



13.532
suit for 13.151



13.533
suit for 13.101



13.523
soap bag for 1000ml



13.534
suit for 13.112.ST



13.535
suit for 13.111



13.536
suit for 13.162